



Mitchell1[®]

In your shop, at your side

ProDemand[®]
Repair Information + Real Fixes



**“ProDemand
is the ONE source I need for OEM
information and real-world solutions.”**

It's Time to Get More Efficient.

A single lookup in ProDemand® gets you there.

Things move fast in an auto repair shop. So, you need repair information tools that work as fast and accurately as you do. That's ProDemand.

From your first look under the hood, **ProDemand** helps steer you in the right direction for an accurate diagnosis and faster repair. **SureTrack®**, the diagnostics module inside ProDemand, delivers Real Fixes based on millions of actual repairs done by professional technicians. Once you've got your diagnosis, it's simple to write an estimate and access all the OEM service information to complete the repair.

In a single lookup, ProDemand delivers your results in an easy-to-use tabular layout. You'll quickly find the industry's most trusted color wiring diagrams, latest TSBs, specs and procedures, maintenance information and more. Why go through the hassle of dealing with multiple providers, when ProDemand can save you time, money and headaches with the industry's most complete source of automotive repair information.

ProDemand helps make your job easier. That's not only efficient, it's just plain smart.

FEATURES TO INCREASE YOUR PRODUCTIVITY

▶ Smarter Searches

Reduce search time with complete OEM information and Real Fixes delivered in a single lookup by our exclusive 1Search feature. Components, codes, recalls, TSBs, diagrams, fluids and more are right where you need them.



▶ SureTrack

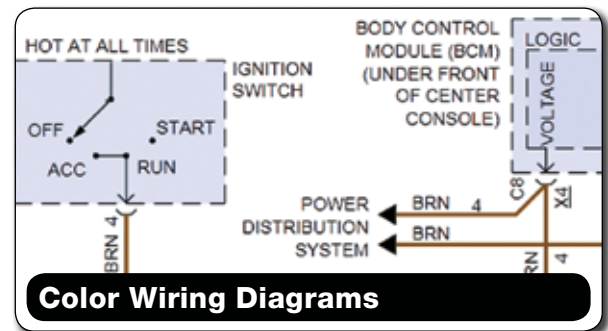
A unique combination of business intelligence and real-world expertise from professional techs to help you increase accuracy and efficiency from diagnosis to completed repair.

▶ Color Wiring Diagrams

Trust our industry-leading wiring diagrams to track down circuits quickly and accurately — consistent formatting across all OEMs eliminates guesswork.

▶ Mobile-Friendly

Access your repair data right at the vehicle — where you need it most.



▶ Latest TSBs

Never miss a TSB! Access the most accurate and up-to-date database of TSBs available, most delivered within two weeks of publication by the OEM.



▶ Quick Links

Speed up your searches even more with a Quick Links menu that takes you directly to the most commonly sought information in ProDemand, including fluids, tire fitment, wiring diagrams, component locations, DTCs and TSBs.

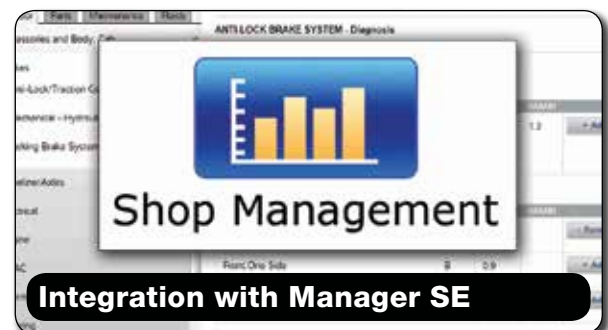


▶ Top 10 Repair List

Get a jumpstart to an accurate diagnosis with the "Top 10 Repairs" dashboard. With every lookup in ProDemand, you see the most common components, codes, symptoms and lookups for your current vehicle.

▶ Estimating Integrated with Manager™ SE

Build accurate, profitable estimates easily with the only OEM repair information system integrated with the industry's most trusted shop management system.



SURETRACK

THE ULTIMATE DIAGNOSTIC RESOURCE

SureTrack is the auto repair industry's most comprehensive source of expert knowledge for professional technicians, and it's included at no additional cost with your ProDemand subscription. Combining real-world diagnostic experience with repair timesavers and powerful diagnostic tools, SureTrack helps you diagnose and repair vehicles more accurately and efficiently than ever before.

▷ Integrated with Repair Information

OEM and real-world content are provided at the same time, delivering all your answers in one place.

▷ Common Replaced Parts

Start your diagnosis with parts replacement graphs that guide you to the most likely parts failure for the specific vehicle model, mileage and symptoms.

▷ Real Fixes

Find the fix with expert-based knowledge captured from millions of completed repairs and real-world tips contributed by professional techs.

▷ Component Test Information

Component operation, location, best test location, connector end views and test procedures provide all the information needed to verify the component is operating properly or failing.

▷ ProView Troubleshooting Tool

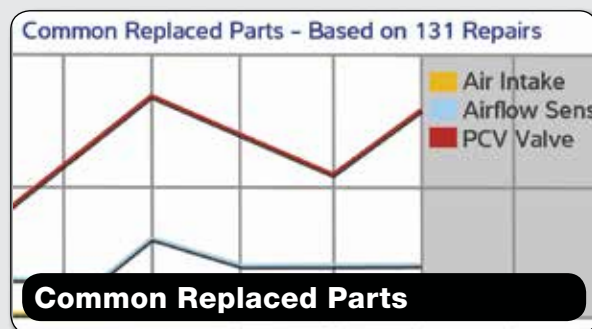
A radial graph shows the relationship between codes, symptoms and components, making it easier to diagnose multi-code issues.

▷ Community of Technicians

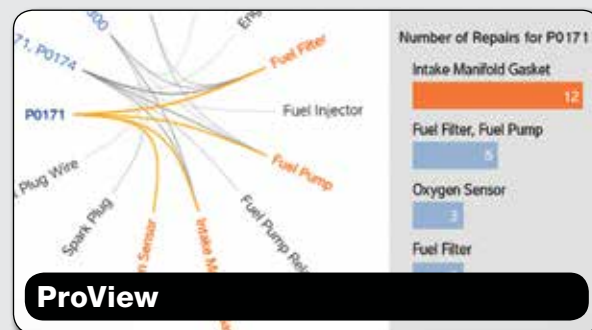
You are likely not the first person to come across that difficult-to-diagnose code or symptom. Use the community as a collaborative tool to ask a question to automotive experts and receive answers (often in a few minutes) to help you move forward.

▷ Known Good Waveforms

The industry's largest library of waveforms to compare your test results to known good values.



A card titled "Real Fix - P0562" with a red checkmark and the text "Fixed It!". Below the title, it reads "2006 > CHEVROLET > TAHOE" and "DTC P0562 System Voltage Low". Underneath, it says "Circuit Description" and "The engine control module (ECM) monitors the...". A black banner at the bottom of the card reads "SureTrack Real Fix".



MORE FROM MITCHELL 1

Complete information tools to drive efficiency and profits

Manager™ SE — The industry standard for shop management, helping mechanical shops streamline workflow and track activity from estimate to invoice. With the largest choice of electronic parts catalogs (including tires), an interactive Work-in-Progress dashboard and over 180 integrated reports, Manager SE provides a 360-degree view of the entire operation so you can manage every aspect of your business more efficiently and profitably.

Mobile ManagerPro — Unleash the power of your shop management system with fully-wireless functionality that lets you start multi-point inspections, estimates and repair orders right at the vehicle. You'll have access to all the features of Manager SE, along with vehicle photos, team chat, customizable canned inspection checklists, and more.

SocialCRM — Grow your business with state-of-the-art shop marketing tools and a personal marketing support agent who will help customize and manage your campaigns for maximum success. Services include targeted promotions, verified consumer reviews, customer engagement programs, mobile-friendly email campaigns and social media marketing. Our cost-effective website service will help you design a professional business website, so customers can find you quickly when searching the Internet for auto repair services.

TruckSeries — The industry's only comprehensive repair information software suite of its kind available for Class 4-8 trucks, giving you a one-stop, all-makes data resource with scalable wiring diagrams, digital pictures, DTC-to-diagnostics, mechanical labor estimating, and so much more. With a single login, TruckSeries delivers the quickest access to all the repair information resources you need to repair trucks accurately and efficiently.





For more information:

Call us: 888-724-6742 | Visit us: www.mitchell1.com/prodemand
Or find your local Mitchell 1 sales representative: www.mitchellrep.com